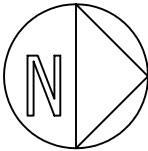
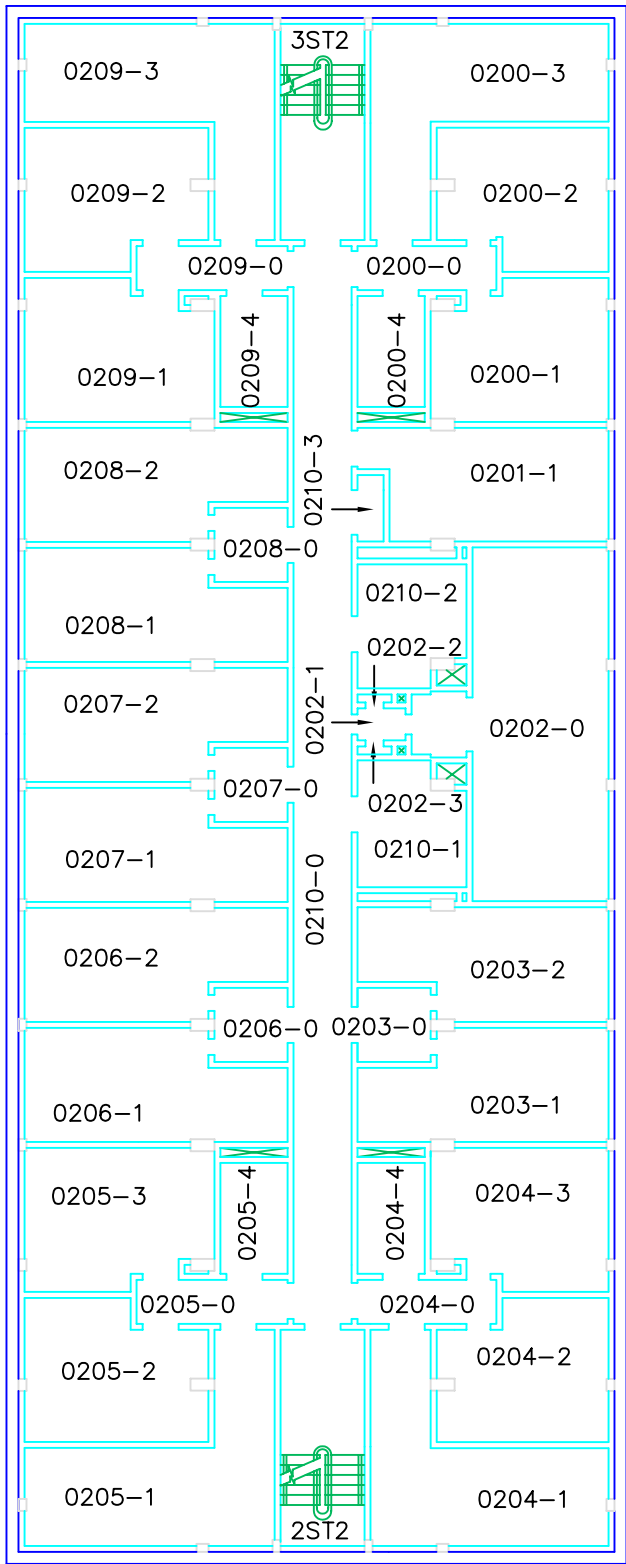


MONTAUK / ZIMNTK
BLDG. # 51D
SECOND FLOOR
REV. OF 12/76



SCALE: 1/16" = 1'-0"

LOG 298