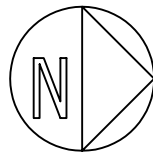
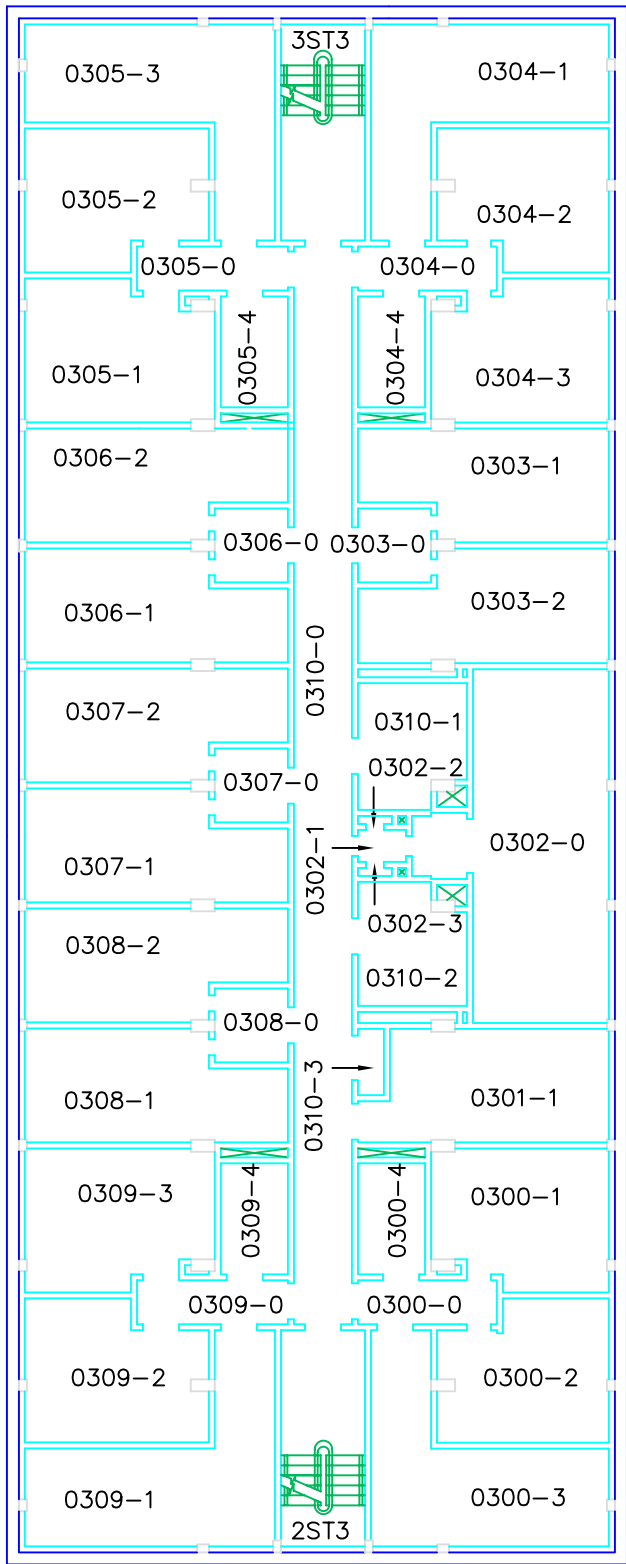


MAHICAN / ZIMAHC
BLDG. # 51C
THIRD FLOOR
REV. OF 12/76



SCALE: 1/16" = 1'-0"