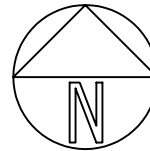
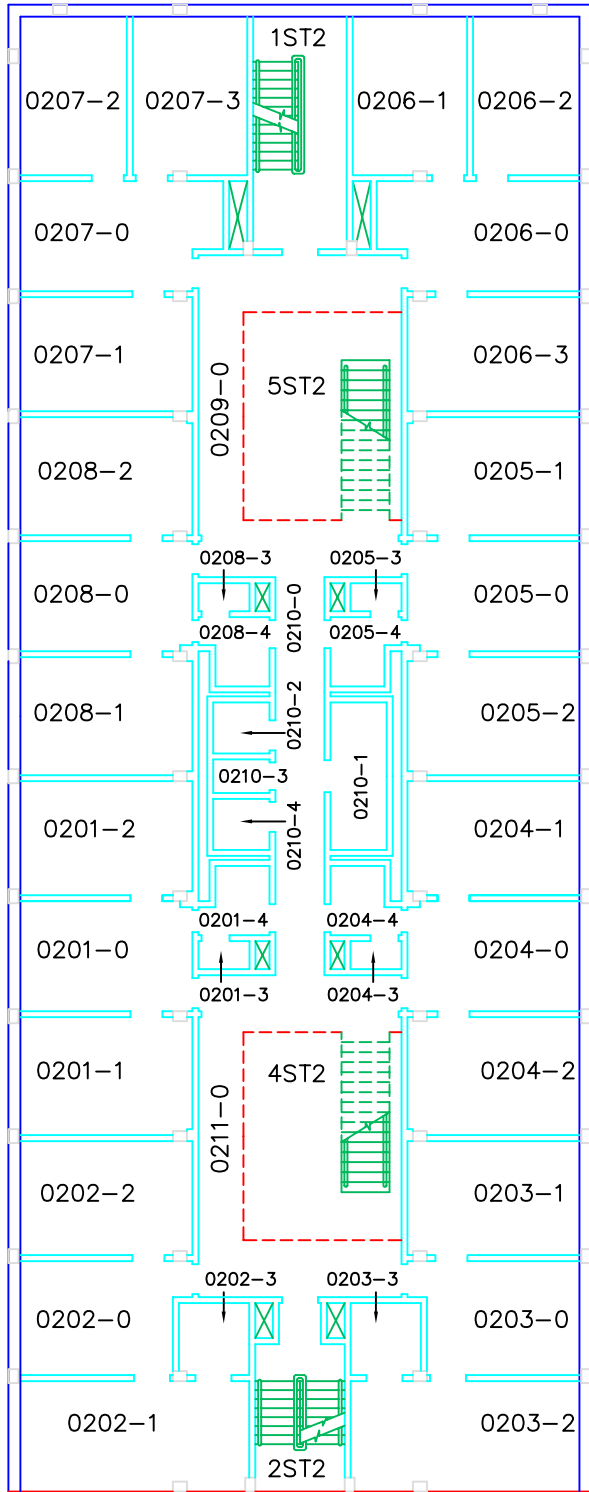


MORRIS / ZCMRRS  
BLDG. # 42F  
SECOND FLOOR  
REV. OF 12/76



MATCH LINE

BLDG. 42F  
BLDG. 42E

SCALE: 1/16" = 1'-0"

LOG 217