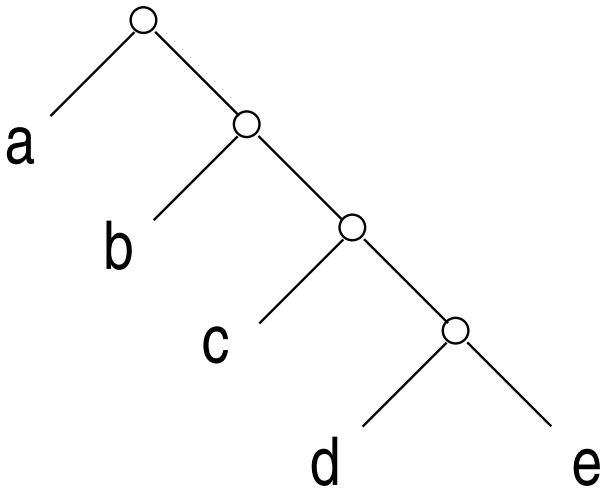


Expressions that are "almost" lists:

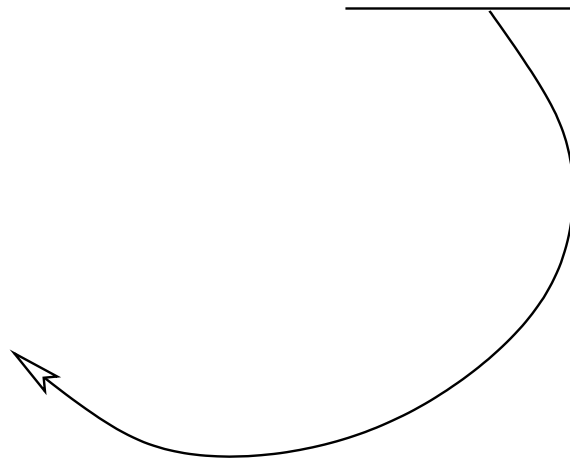
'((((a . b) . c) . d) . e) prints as (((((a . b) . c) . d) . e)

BUT

'(a . (b . (c . (d . e)))) prints as (a b c d . e)



This tree has the form of a list
except for its rightmost leaf



which for a list would be ()