
Cyber-Physical Systems

Embedded Architecture



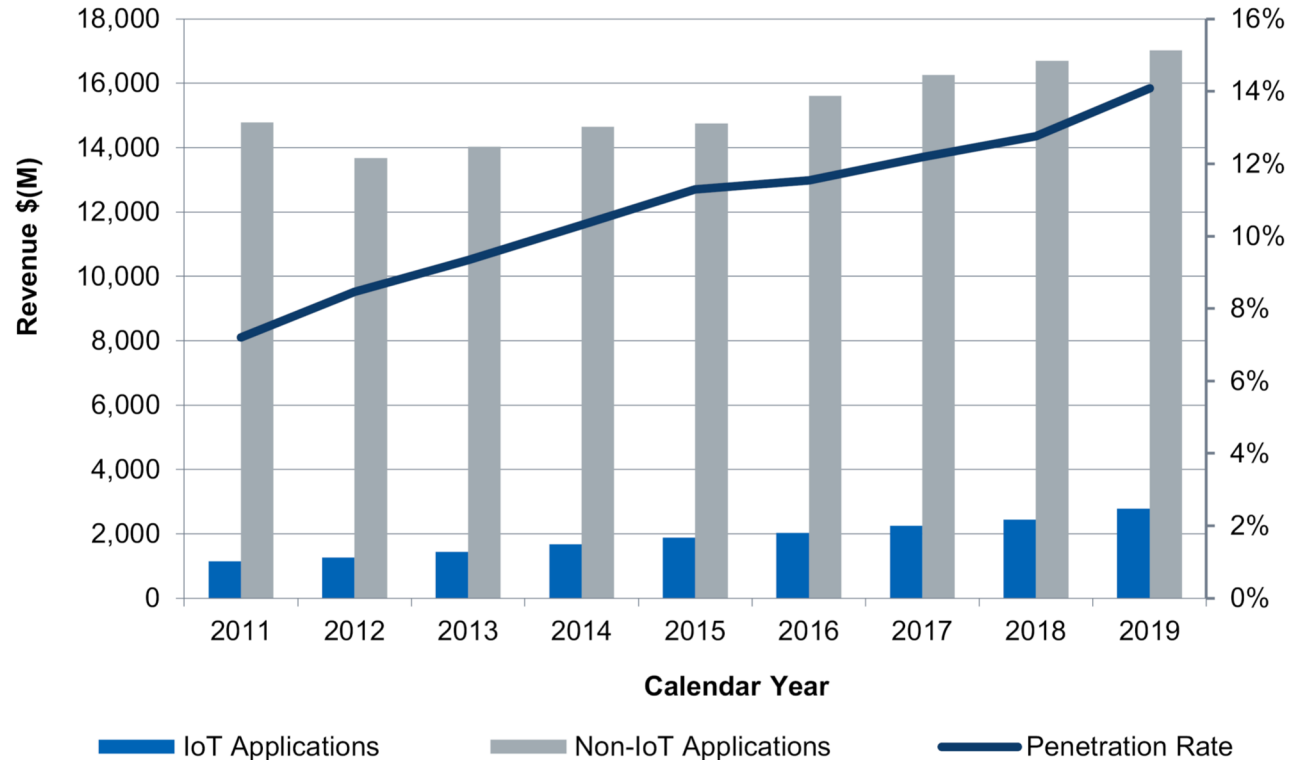
UNIVERSITY
AT ALBANY
State University of New York

ICEN 553/453 – Fall 2018

Prof. Dola Saha

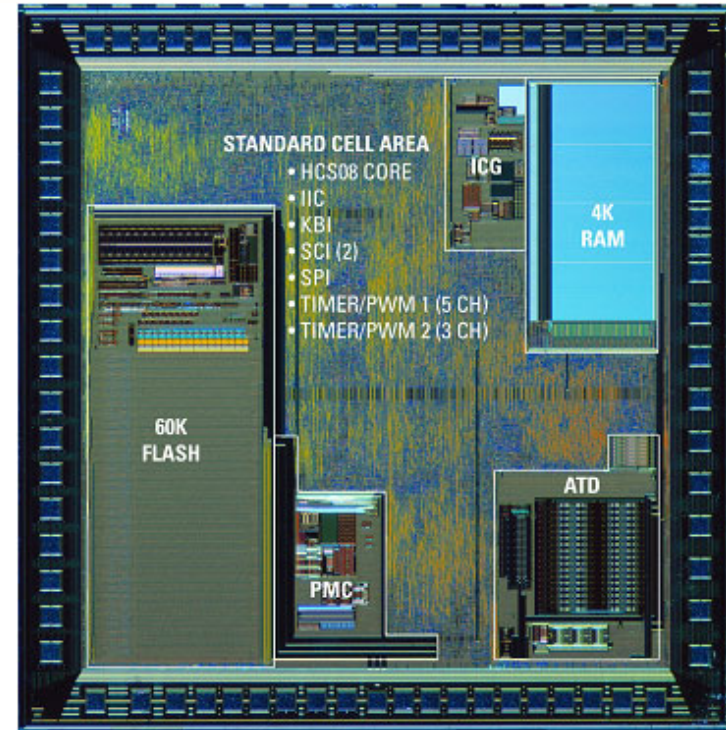
Introduction to Microcontrollers

MCU market in IoT applications compared to markets outside of IoT



Introduction to Microcontrollers

- A microcontroller (MCU) is a small computer on a single integrated circuit consisting of a relatively simple central processing unit (CPU) combined with peripheral devices such as memories, I/O devices, and timers.
 - By some accounts, more than half of all CPUs sold worldwide are microcontrollers.
 - Such a claim is hard to substantiate because the difference between microcontrollers and general-purpose processors is indistinct.



Microcontrollers

- An Embedded Computer System on a Chip
 - A CPU
 - Memory (Volatile and Non-Volatile)
 - Timers
 - I/O Devices
- Typically intended for limited energy usage
 - Low power when operating plus sleep modes
- Where might you use a microcontroller?

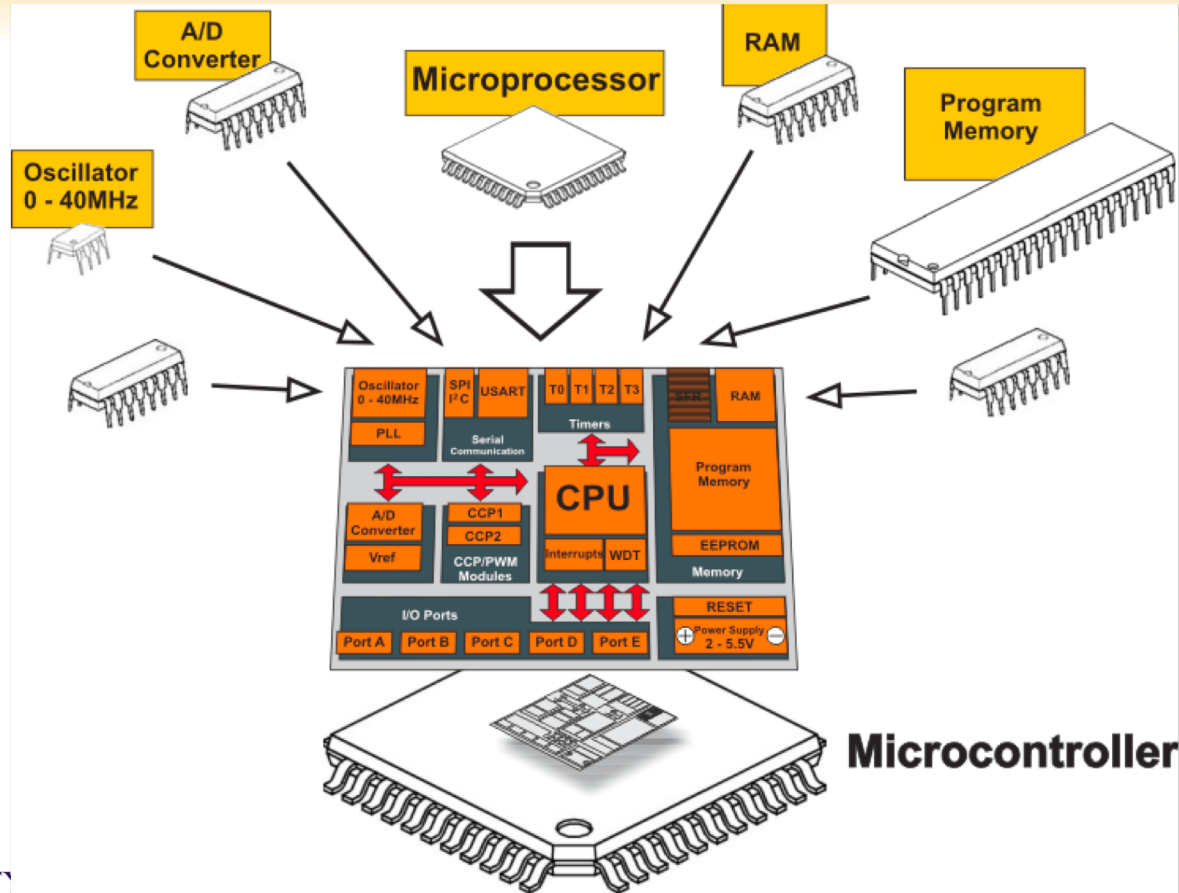
What is Control?

- Sequencing operations
 - Turning switches on and off
- Adjusting continuously (or at least finely) variable quantities to influence a process

Microcontroller vs Microprocessor

- A microcontroller is a small computer on a single integrated circuit containing a processor core, memory, and programmable input/output peripherals.
- A microprocessor incorporates the functions of a computer's central processing unit (CPU) on a single integrated circuit.

Microcontroller vs Microprocessor



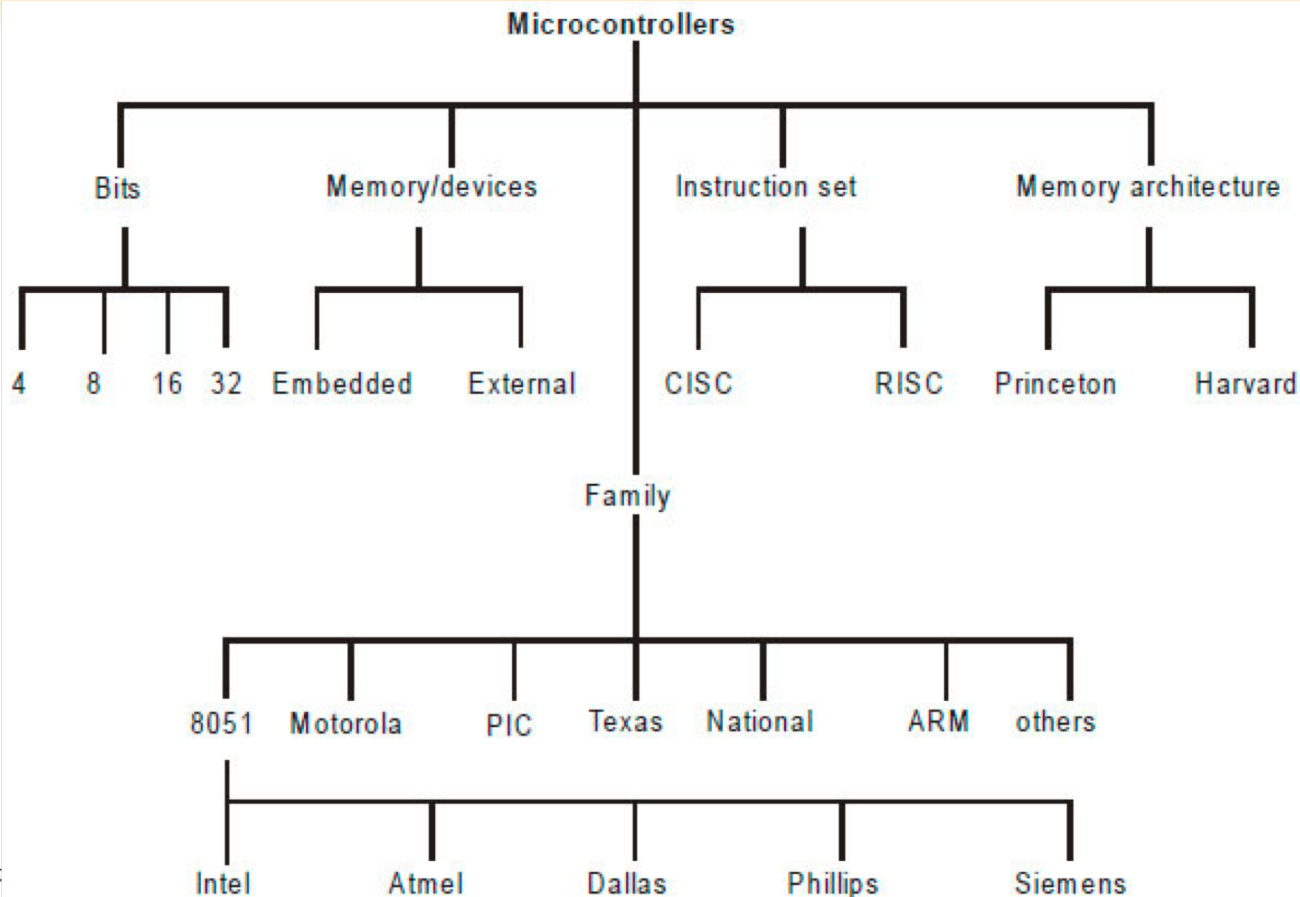
Types of Processors

- In general-purpose computing, the variety of instruction set architectures today is limited, with the Intel x86 architecture overwhelmingly dominating all.
- There is no such dominance in embedded computing. On the contrary, the *variety of processors can be daunting* to a system designer.
- Do you want same microprocessor for your watch, autonomous vehicle, industrial sensor?

How to choose micro-processors/controllers?

- Things that matter
 - Peripherals
 - Concurrency & Timing
 - Clock Rates
 - Memory sizes (SRAM & flash)
 - Package sizes

Types of Microcontrollers



DSP Processors

- Processors designed specifically to support numerically intensive signal processing applications are called DSP processors, or DSPs (digital signal processors).
- Signal Processing Applications: interactive games; radar, sonar, and LIDAR (light detection and ranging) imaging systems; video analytics (the extraction of information from video, for example for surveillance); driver-assist systems for cars; medical electronics; and scientific instrumentation.

A Common Signal Processing Algorithm

- finite impulse response (FIR) filtering
- N is the length of the filter
- a_i are tap values
- $x(n)$ is the input

$$y(n) = \sum_{i=0}^{N-1} a_i x(n - i)$$

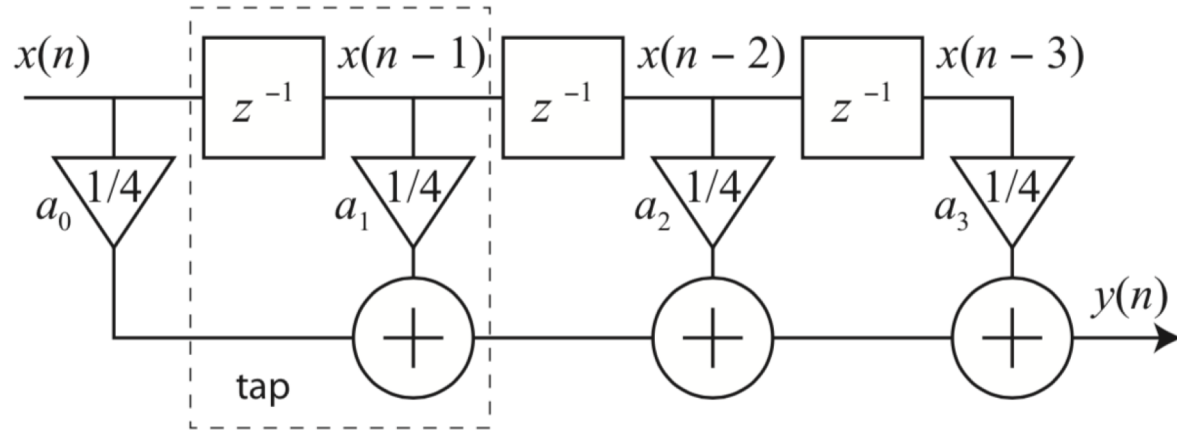
FIR Filter Formula

FIR Filter Implementation

- z^{-1} is unit delay
- Suppose $N = 4$ and $a_0 = a_1 = a_2 = a_3 = 1/4$.
- Then for all $n \in \mathbb{N}$,

$$y(n) = (x(n) + x(n - 1) + x(n - 2) + x(n - 3))/4 .$$

- **Multiply-Accumulate**



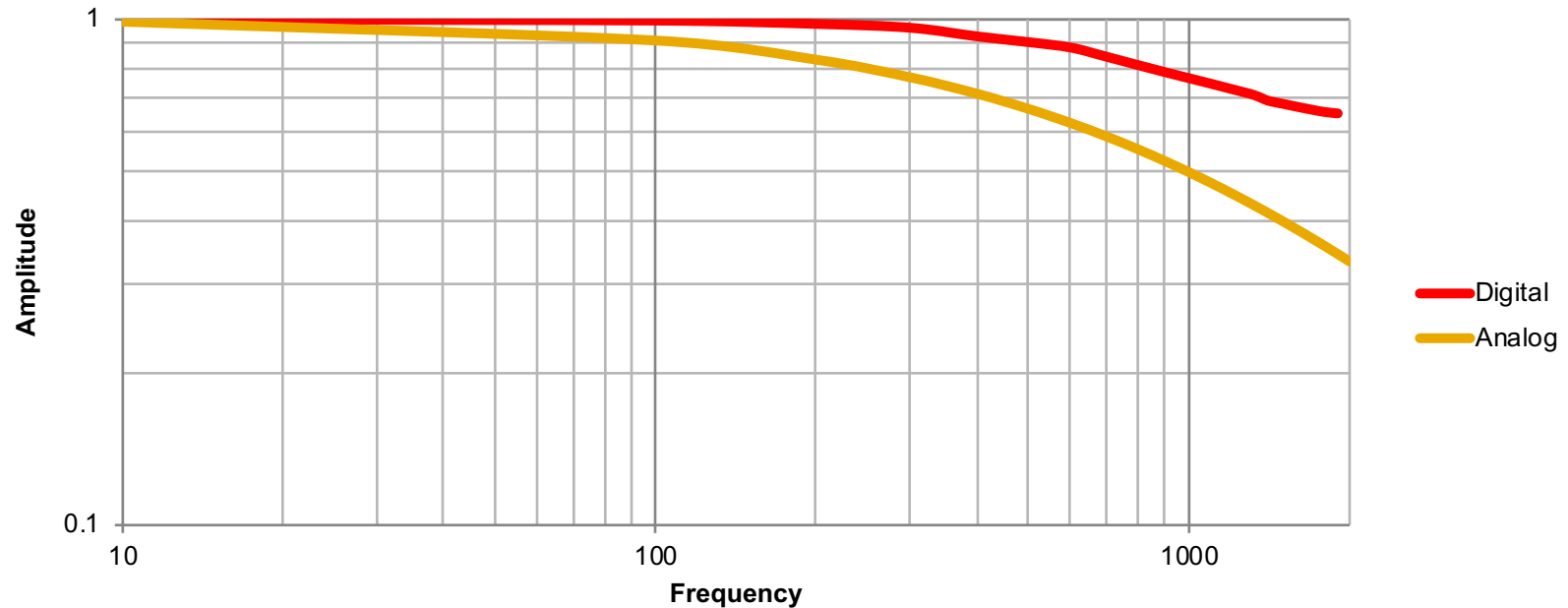
Tapped delay line implementation of the FIR filter 13

Multiply-Accumulate Instructions

- Digital Signal Processors provide a fast and efficient multiply-accumulate (MAC) instruction
 - Typically including a relatively large accumulator
- They also typically use a Harvard memory access architecture
- They may include auto-increment addressing modes
- They may support circular buffer addressing
 - Efficient implementation of delay lines
- They may support zero-overhead loops

Comparison

Frequency Response Comparison

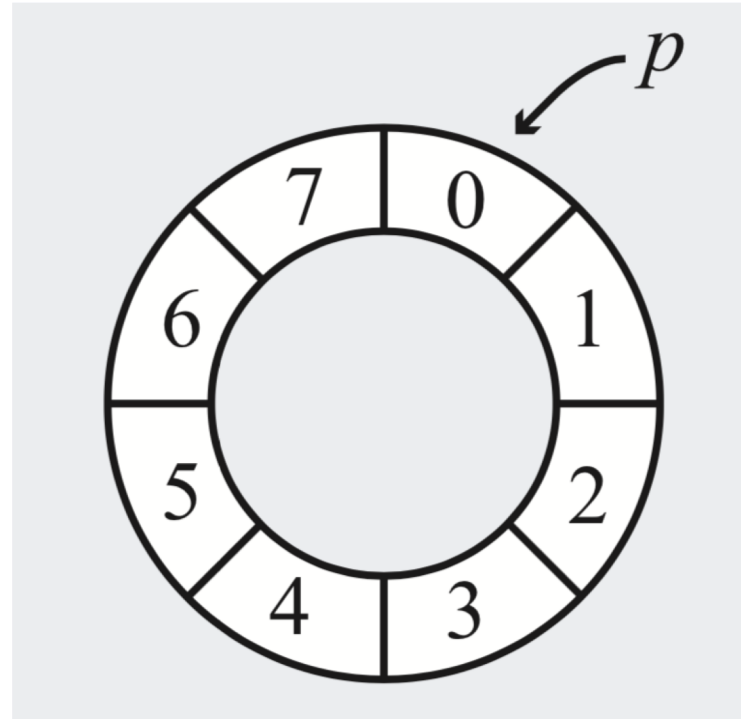


Digital Filter Critique

- The filter pole is at about $\frac{1}{4}$ of the sampling rate
 - We have only 4 samples of the impulse response
 - This makes the FIR filter simple: only 4 taps
 - This also degrades the filter performance
- We may be able to improve the filter performance some by using a different design technique
 - The filter coefficients would differ
- A higher sampling rate with respect to the filter corner frequency could also help

FIR Filter Delay Implementation

➤ Circular Buffer



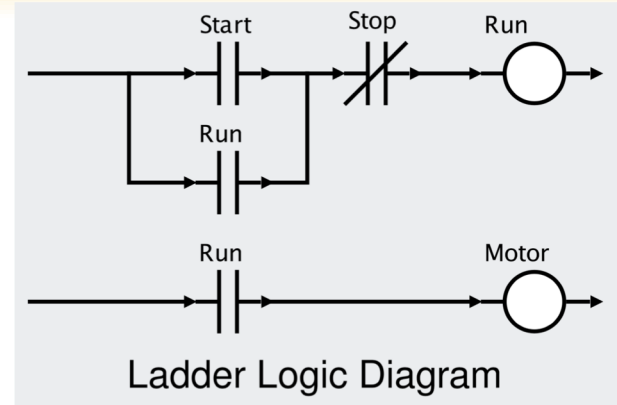
Programmable Logic Controller (PLC)

- A microcontroller system for industrial automation
 - Continuous operation
 - Hostile environments
 - originated as replacements for control circuits using electrical relays to control machinery

- PLCs are frequently programmed using ladder logic
 - This notation was developed to specify logic constructed with relays and switches

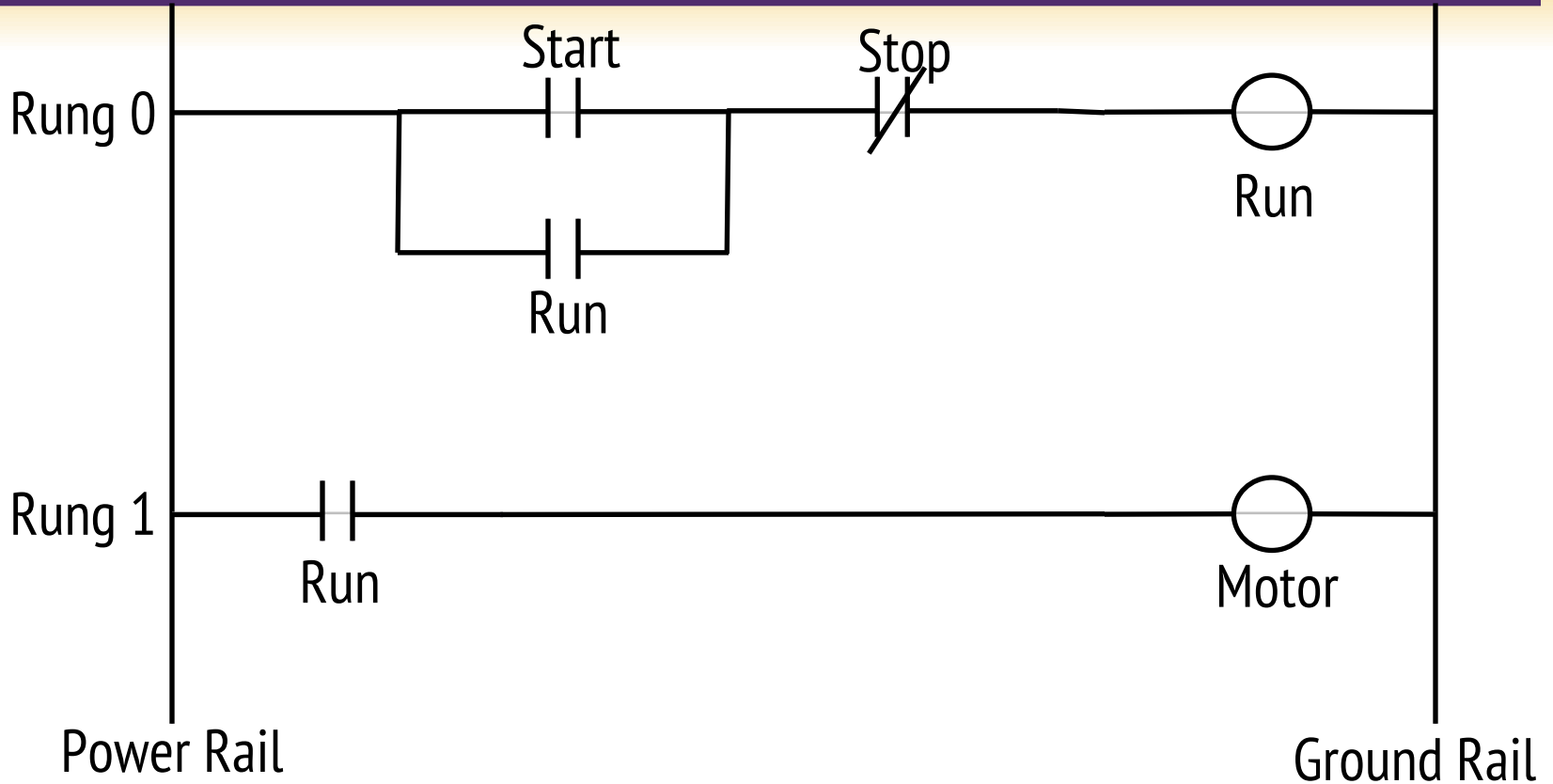
Ladder Logic & Relays

- **Relay** is a switch where the contact is controlled by coil.
- When a voltage is applied to the coil, the contact closes, enabling current to flow through the relay.
- By interconnecting contacts and coils, relays can be used to build digital controllers that follow specified patterns.



- **Vertical Rails & Horizontal Rungs**
- **Contact:** two vertical bars
- **Coil:** circle

Example



Example: explained

- Start/Run is a **normally open** contact
- Stop is **normally closed**, indicated by the slash
 - It becomes open when the operator pushes the switch.
- When start is pushed, electricity flows
 - Both Start and Run contacts close so that Motor runs
 - When Start is released, Motor continues to run
 - When Stop is pressed, current is interrupted and both Run contacts become open and motor stops
- Contacts wired in parallel perform a logical OR function, and contacts wired in series perform a logical AND.

GPUs

- A graphics processing unit (GPU) is a specialized processor designed especially to perform the calculations required in graphics rendering.
- Most used for Gaming (earlier days)
- Common programming language: CUDA

Parallelism vs Concurrency

- Embedded computing applications typically do more than one thing “at a time.”
- Tasks are said to be “concurrent” if they conceptually execute simultaneously
- Tasks are said to be “parallel” if they physically execute simultaneously
 - Typically multiple servers at the same time

Imperative Language

- Non-concurrent programs specify a *sequence* of instructions to execute.
- Imperative Language: expresses a computation as a sequence of operations
 - Example: C, Java
- How to write concurrent programs in imperative language?
 - Thread Library

Program Dependency – Sequential Consistency

- No dependency between lines 3 and 4

```
double pi, piSquared, piCubed;  
pi = 3.14159;  
piSquared = pi * pi ;  
piCubed = pi * pi * pi;
```

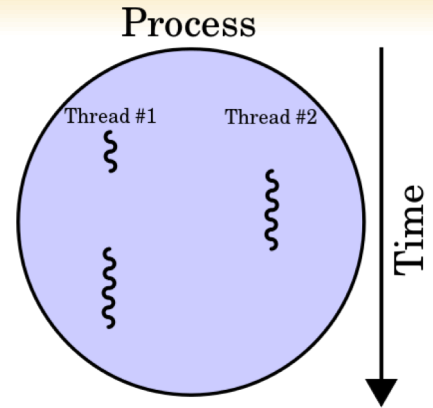
- Line 4 is dependent on Line 3

```
double pi, piSquared, piCubed;  
pi = 3.14159;  
piSquared = pi * pi ;  
piCubed = piSquared * pi;
```

Thread Mapping on Processor

➤ OS Dependent Scheduler

- Static Mapping
- Basic Lowest Load (fill in Round Robin fashion)
- Extended Lowest Load



Performance Improvement

- Various current architectures seek to improve performance by finding and exploiting potentials for parallel execution
 - This frequently improves processing throughput
 - It does not always improve processing latency
 - It frequently makes processing time less predictable
- Many embedded applications rely on results being produced at predictable regular rates
 - Embedded results must be available at the right time

Parallelism

- Temporal Parallelism – Pipelining
- Spatial Parallelism –
 - Superscalar
 - VLIW
 - Multicore

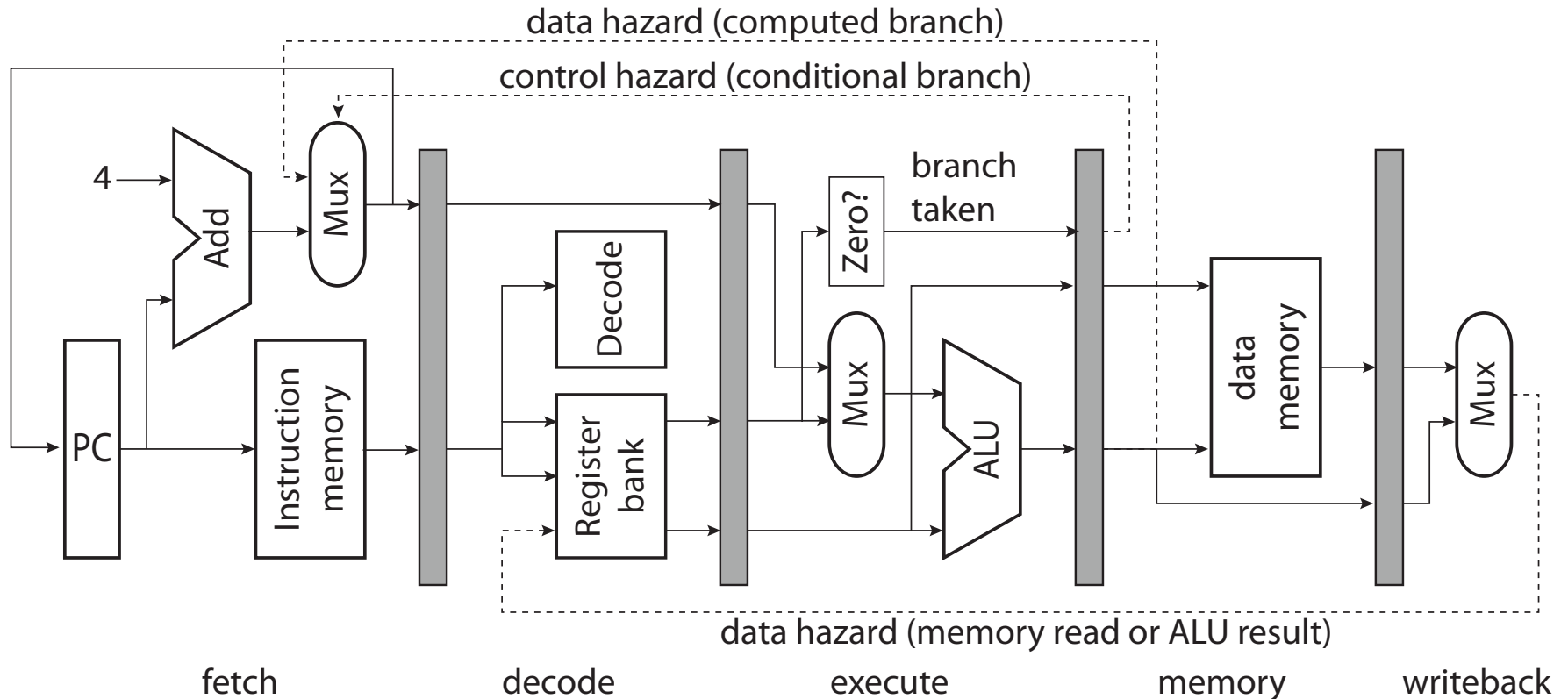
RISC and CISC Architectures

- CISC – Complex Instruction Set Computer
 - Multi-clock complex instructions
- RISC – Reduced Instruction Set Computer
 - Simple instructions that can be executed within one cycle

5 Cycles of RISC Instruction Set

- Instruction fetch cycle (IF)
 - Fetch instruction from memory pointed by PC, then increment PC
- Instruction decode/register fetch cycle (ID)
 - Decode the instruction
- Execution/effective address cycle (EX)
 - ALU operates on the operands
- Memory access (MEM)
 - Load/Store instructions
- Write-back cycle (WB)
 - Register-Register ALU instruction

Pipelining in RISC



Simple RISC Pipeline

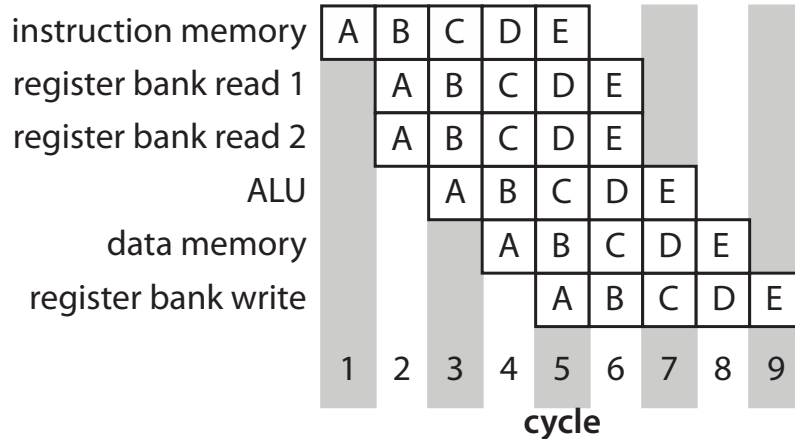
	Clock number								
Instruction number	1	2	3	4	5	6	7	8	9
Instruction i	IF	ID	EX	MEM	WB				
Instruction $i + 1$		IF	ID	EX	MEM	WB			
Instruction $i + 2$			IF	ID	EX	MEM	WB		
Instruction $i + 3$				IF	ID	EX	MEM	WB	
Instruction $i + 4$					IF	ID	EX	MEM	WB

Pipelining Hazard

- Data Hazard
- Control Hazard
- Out-of-order Execution
- Speculative Execution

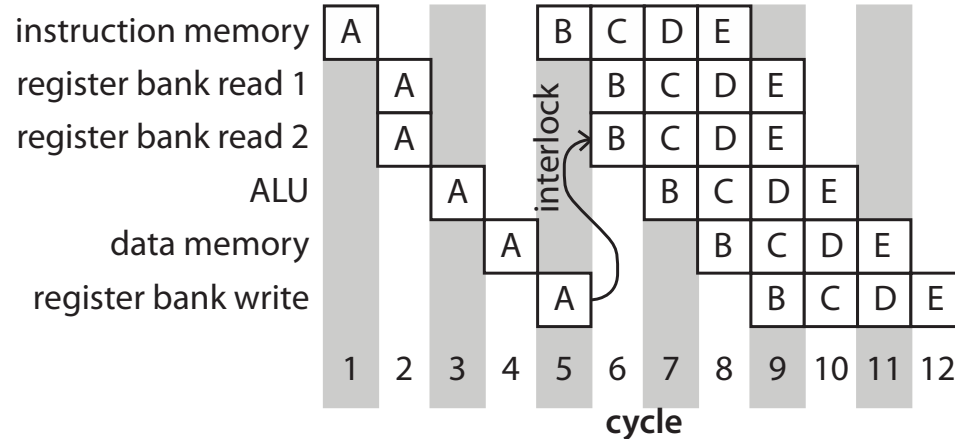
Out-of-order Execution

hardware resources:



Reservation Table

hardware resources:



Reservation Table with Interlocks

CISC

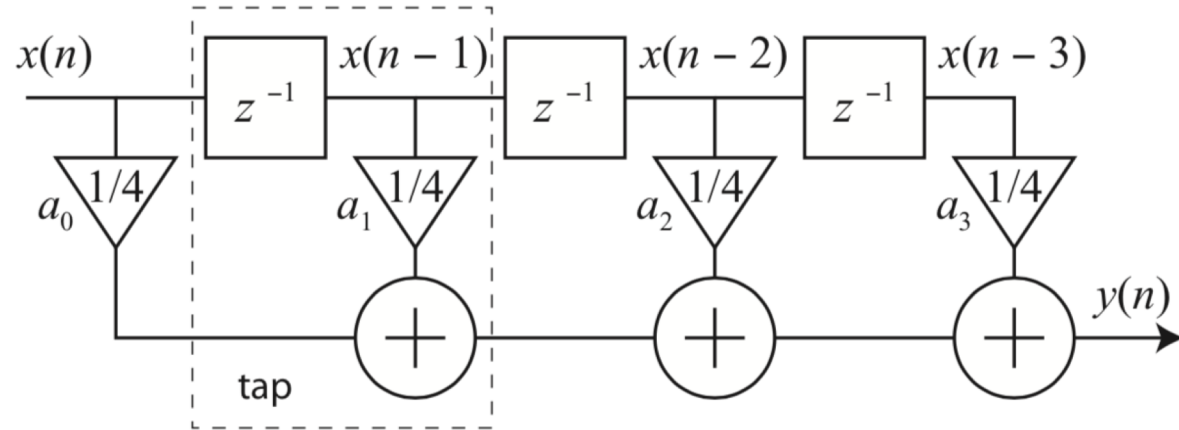
- DSPs are typically CISC machines
- Instructions support
 - FIR filtering
 - FFTs
 - Viterbi decoding

FIR Filter Implementation

- z^{-1} is unit delay
- Suppose $N = 4$ and $a_0 = a_1 = a_2 = a_3 = 1/4$.
- Then for all $n \in \mathbb{N}$,

$$y(n) = (x(n) + x(n - 1) + x(n - 2) + x(n - 3))/4 .$$

- **Multiply-Accumulate**



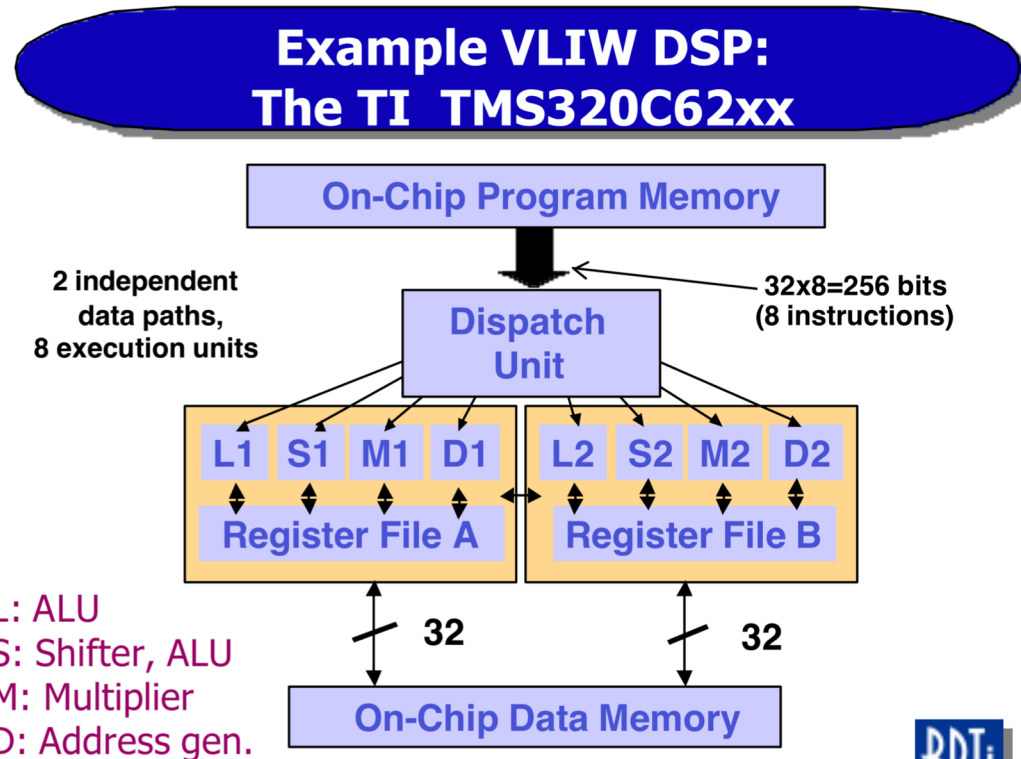
Tapped delay line implementation of the FIR filter ∞

CISC Instruction

- Texas Instruments TMS320c54x family of DSP processors
- Code
 - RPT numberOfTaps - 1
 - MAC *AR2+, *AR3+, A
- RPT: zero overhead loops
- MAC : Multiply accumulate
 - $a := a + x * y$
 - AR2, AR3 are registers
 - A is the Accumulator

VLIW Instruction Set

- Used for DSP, other Embedded Applications
- Multiple independent instructions per cycle, packed into single large "instruction word" or "packet"



Multicore Architecture

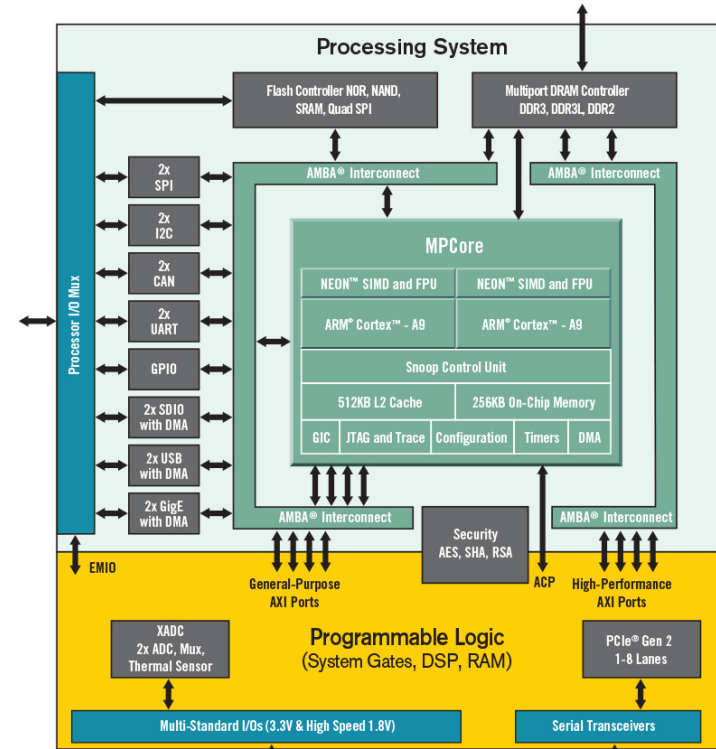
- Combination of several processors in a single chip
- Real-time and Safety critical tasks can have dedicated processors
- Heterogeneous multicore
 - CPU and GPUs together

FPGAs

➤ Field Programmable Gate Arrays

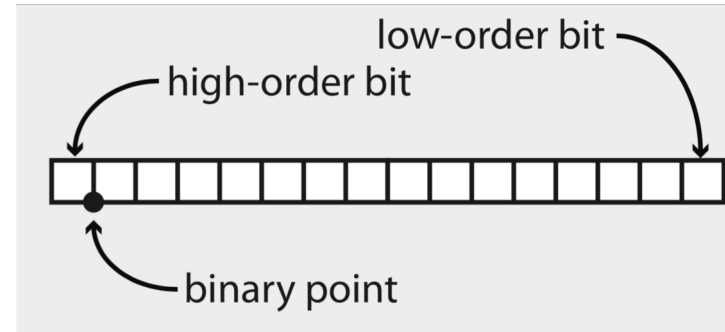
- Set of logic gates and RAM blocks
- Reconfigurable / Programmable
- Precise timing

➤ System on Chip design



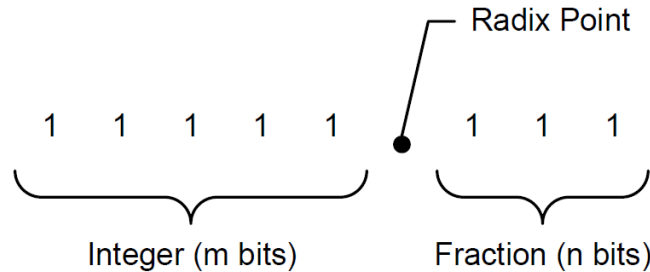
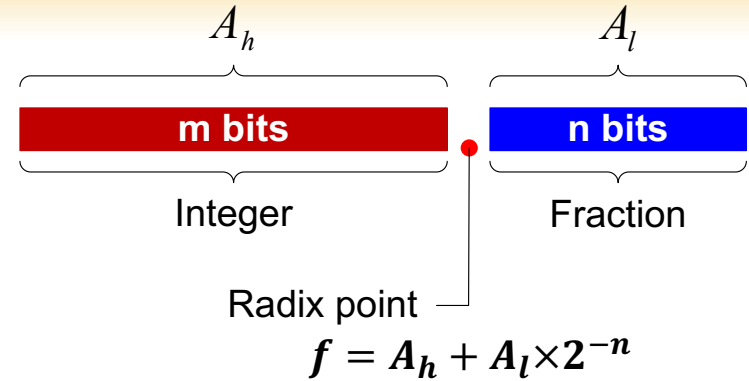
Fixed and Floating Point Numbers

- Programs may use float or double
- Many embedded processors do not have floating point arithmetic hardware
- Conversion required, which makes it slow
- Imaginary Binary Point is considered for computation
 - Binary point separates bits
 - Decimal point separates digits
- Format $x.y$ representation indicates
 - x bits left & y bits right of binary point



Fixed Point Numbers

- **01101.101**₂
- = $1 \times 2^3 + 1 \times 2^2 + 1 \times 2^0 + 1 \times 2^{-1} + 1 \times 2^{-3}$
- = 13.625



$$\begin{aligned}
 10101.101_2 &= A_h + A_l \times 2^{-3} \\
 &= 21 + 5 \times 2^{-3} \\
 &= 21.625
 \end{aligned}$$

Unsigned Fixed Point Representation

- **Example:** Convert $f = 3.141593$ to unsigned fixed-point UQ4.12 format.
- Calculate $f \times 2^{12} = 12867.964928$
- Round the result to an integer, $round(12867.964928) = 12868$
- Convert the integer to binary: $12868 = \mathbf{11_0010_0100_0100}_2$
- Organize into UQ4.12: $\mathbf{0011.0010_0100_0100}_2$
- Final result in Hex: **0x3244**
- Error: $\frac{12868}{2^{12}} - f = -8.5625 \times 10^{-6}$

Signed Fixed Point Representation



$$A = -1 \times b_{N-1} \times 2^{N-1} + \sum_{i=0}^{N-2} (b_i \times 2^i)$$

$$f = \frac{A}{2^n}$$

where $N = m + n + 1$

Signed Fixed Point Representation

- **Example:** Convert $f = -3.141593$ to signed fixed-point Q3.12 format.
- Calculate $f \times 2^{12} = -12867.964928$
- Round the result to an integer, $round(-12867.964928) = -12868$
- Convert the absolute integer to binary: $12868 = 11_0010_0100_0100_2$
(Note that the integer is represented in two's complement.)
- Make the result into 16 bits: **0011_0010_0100_0100**₂
- Find the two's complement: **1100_1101_1011_1100**₂
- Final result in Hex: **0xCDBC**
- Error: $-\frac{12868}{2^{12}} - f = 8.5625 \times 10^{-6}$

Addition and Subtraction

Addition

Assume UQ16.16

$$f_C = f_A + f_B$$

$$\begin{cases} I_A = f_A \times 2^{16} \\ I_B = f_B \times 2^{16} \\ I_C = f_C \times 2^{16} \end{cases} \quad \longrightarrow \quad \begin{cases} f_A = I_A \times 2^{-16} \\ f_B = I_B \times 2^{-16} \\ f_C = I_C \times 2^{-16} \end{cases}$$

$$\begin{aligned} f_C &= f_A + f_B \\ &= I_A \times 2^{-16} + I_B \times 2^{-16} \\ &= (I_A + I_B) \times 2^{-16} \end{aligned}$$

$$I_C \times 2^{-16} = (I_A + I_B) \times 2^{-16}$$

$$I_C = I_A + I_B$$

Subtraction

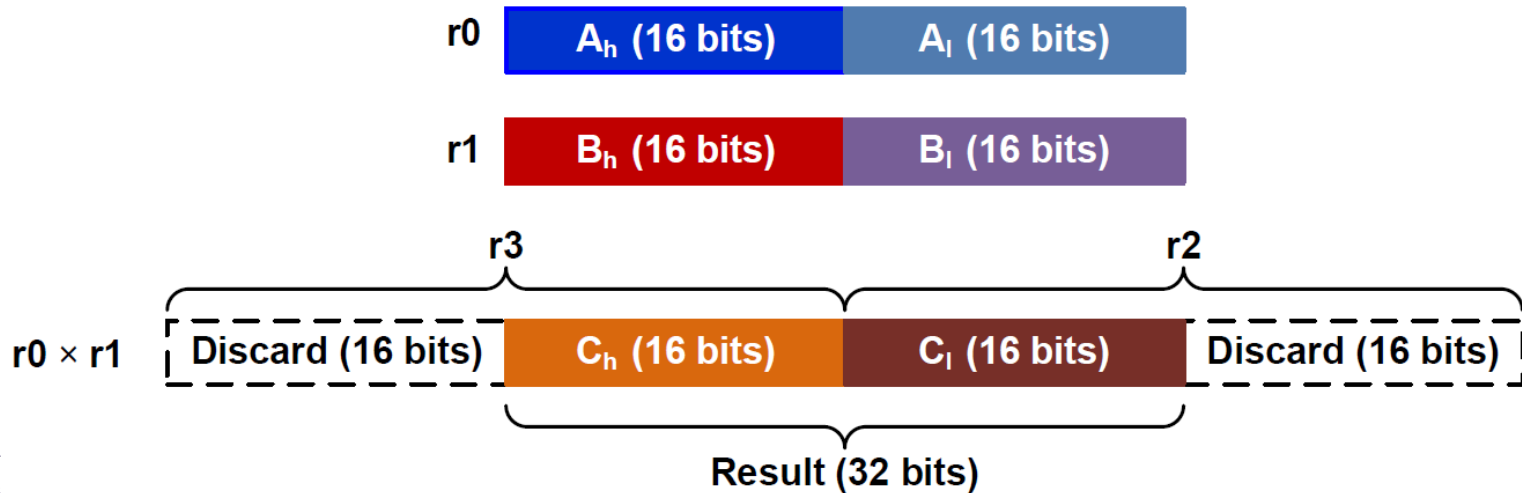
$$\begin{aligned} f_C &= f_A - f_B \\ I_C &= I_A - I_B \end{aligned}$$

Multiplication

$$\begin{aligned} f_C &= f_A \times f_B \\ &= (I_A \times 2^{-16}) \times (I_B \times 2^{-16}) \\ &= (I_A \times I_B) \times 2^{-32} \end{aligned}$$

$$I_C = (I_A \times I_B) \times 2^{-16}$$

$$f_C = I_C \times 2^{-16}$$



Law of Conservation of Bits

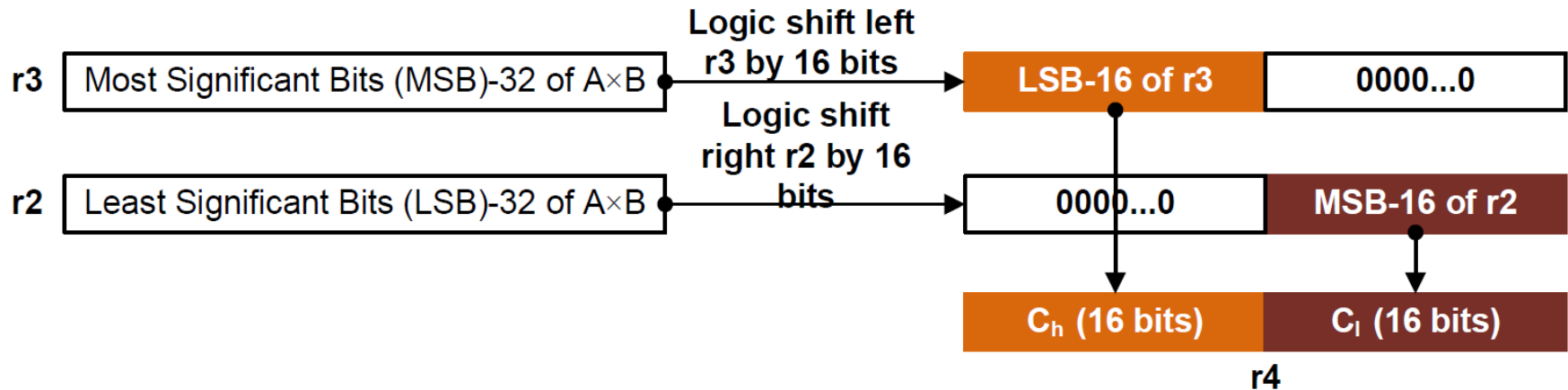
- When multiplying two x -bit numbers with formats $n.m$ and $p.q$, the result has format $(n + p).(m + q)$
- Processors might support full precision multiplications
- Finally need to convert to x -bits to data register

Fixed Point Multiplication

$$\begin{aligned}
 f_C &= f_A \times f_B \\
 &= (I_A \times 2^{-16}) \times (I_B \times 2^{-16}) \\
 &= (I_A \times I_B) \times 2^{-32}
 \end{aligned}$$

$$f_C = I_C \times 2^{-16}$$

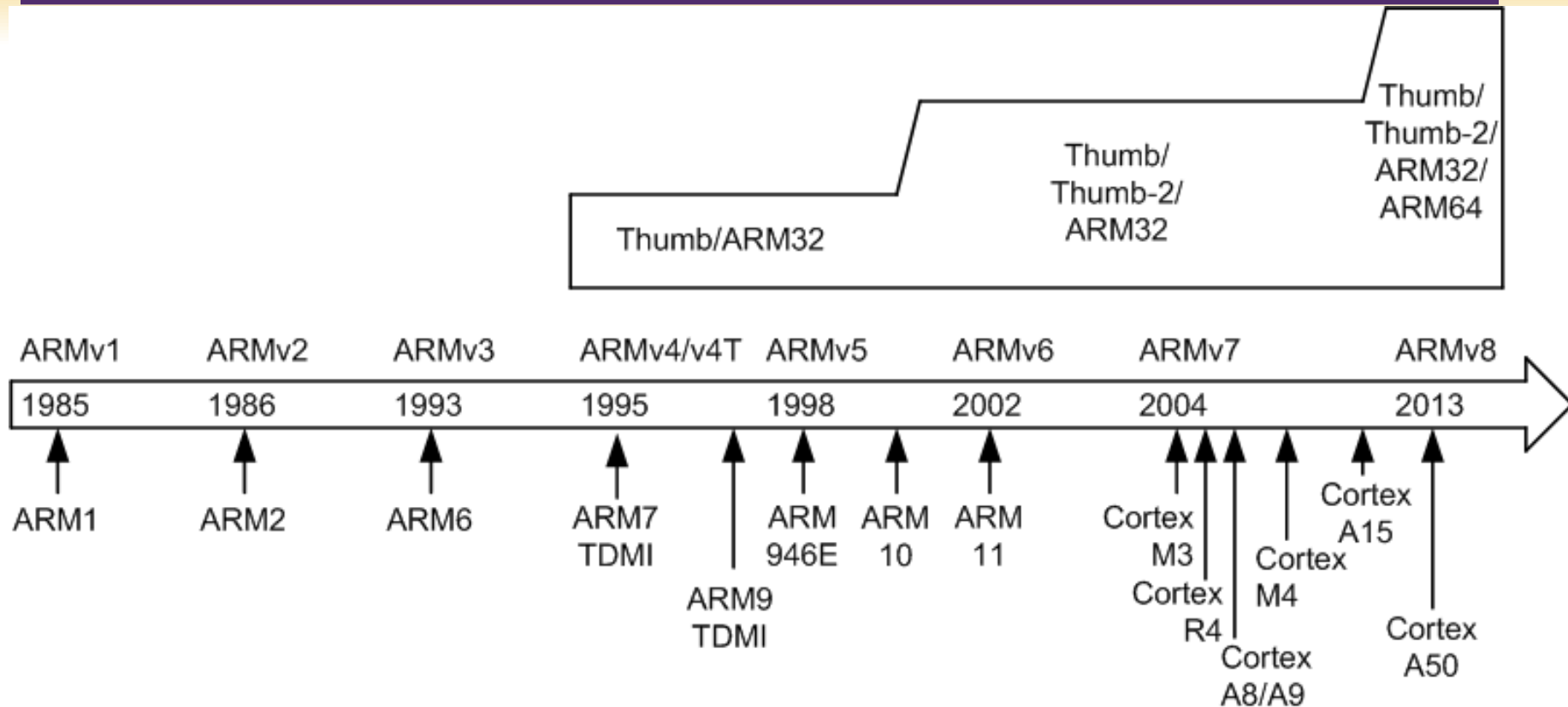
$$I_C = (I_A \times I_B) \times 2^{-16}$$



Programmers need to guard

- Overflow – since higher order bits are discarded
- Truncation, if bits are chosen before operation
- Rounding – rounds to nearest full precision after operation

History of ARM Processor



ARM Cortex Processors

ARM Cortex-**A** family:

Applications processors

Support OS and high-performance applications

Such as Smartphones, Smart TV



ARM Cortex-**R** family:

Real-time processors with high performance and high reliability

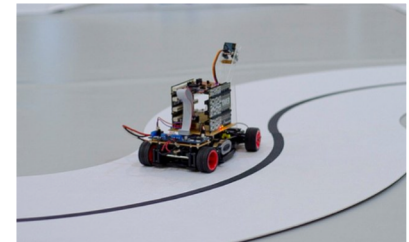
Support real-time processing and mission-critical control



ARM Cortex-**M** family:

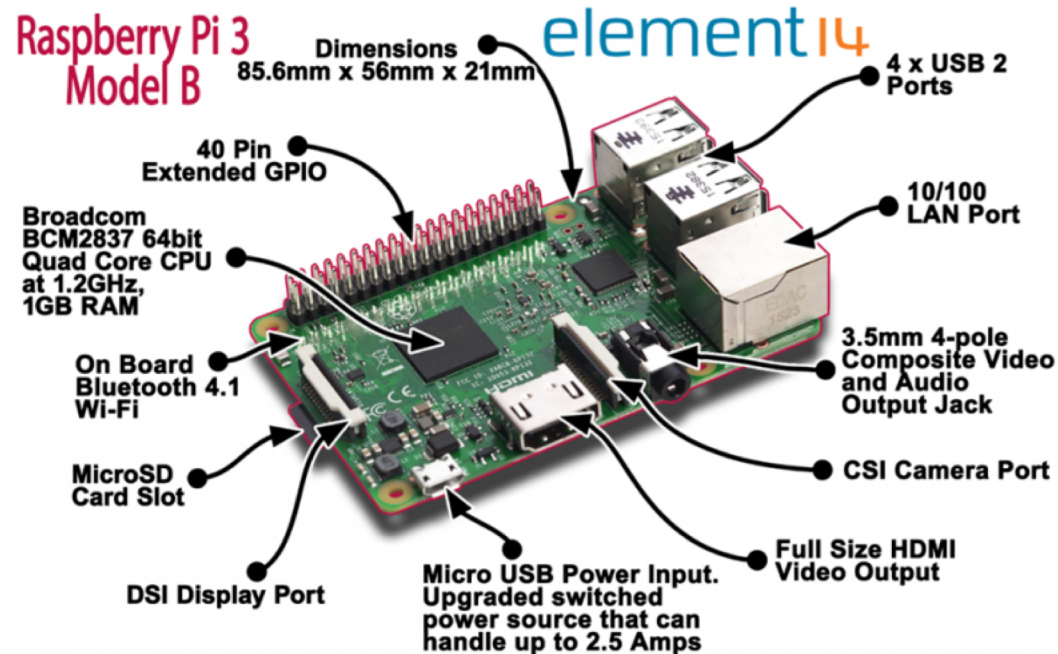
Microcontroller

Cost-sensitive, support SoC



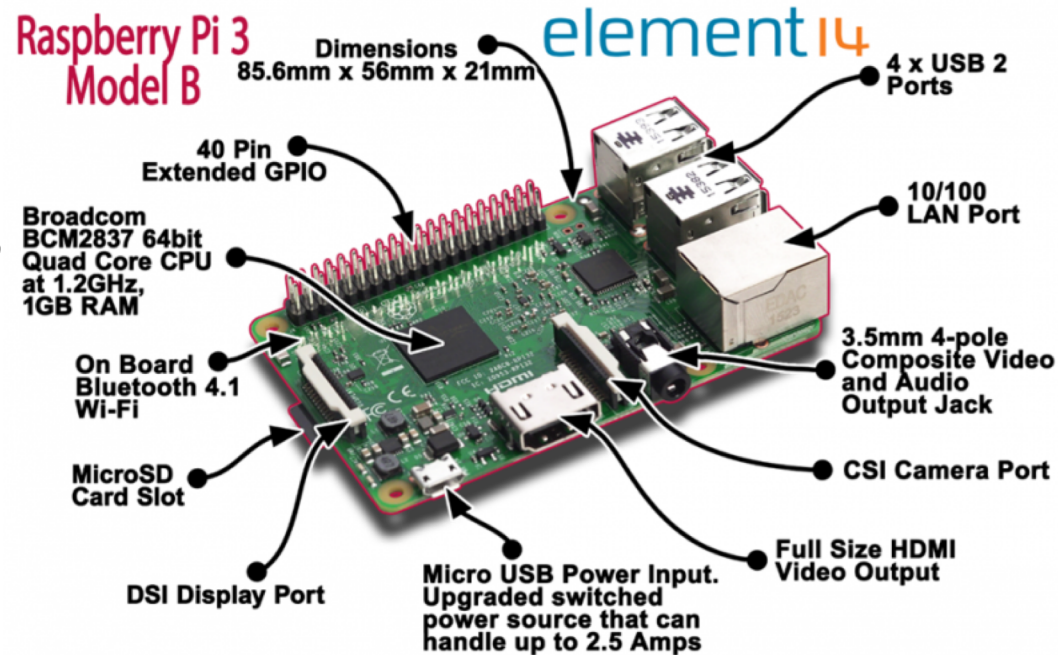
Raspberry Pi

- The Raspberry Pi 3 Model B+ is the latest product in Raspberry Pi range.
 - Broadcom BCM2837B0, Cortex-A53 (ARMv8) 64-bit SoC @ 1.4GHz
 - 1GB LPDDR2 SDRAM
 - 2.4GHz and 5GHz IEEE 802.11.b/g/n/ac wireless LAN, Bluetooth 4.2, BLE
 - Gigabit Ethernet over USB 2.0 (maximum throughput 300 Mbps)
 - Extended 40-pin GPIO header
 - Full-size HDMI

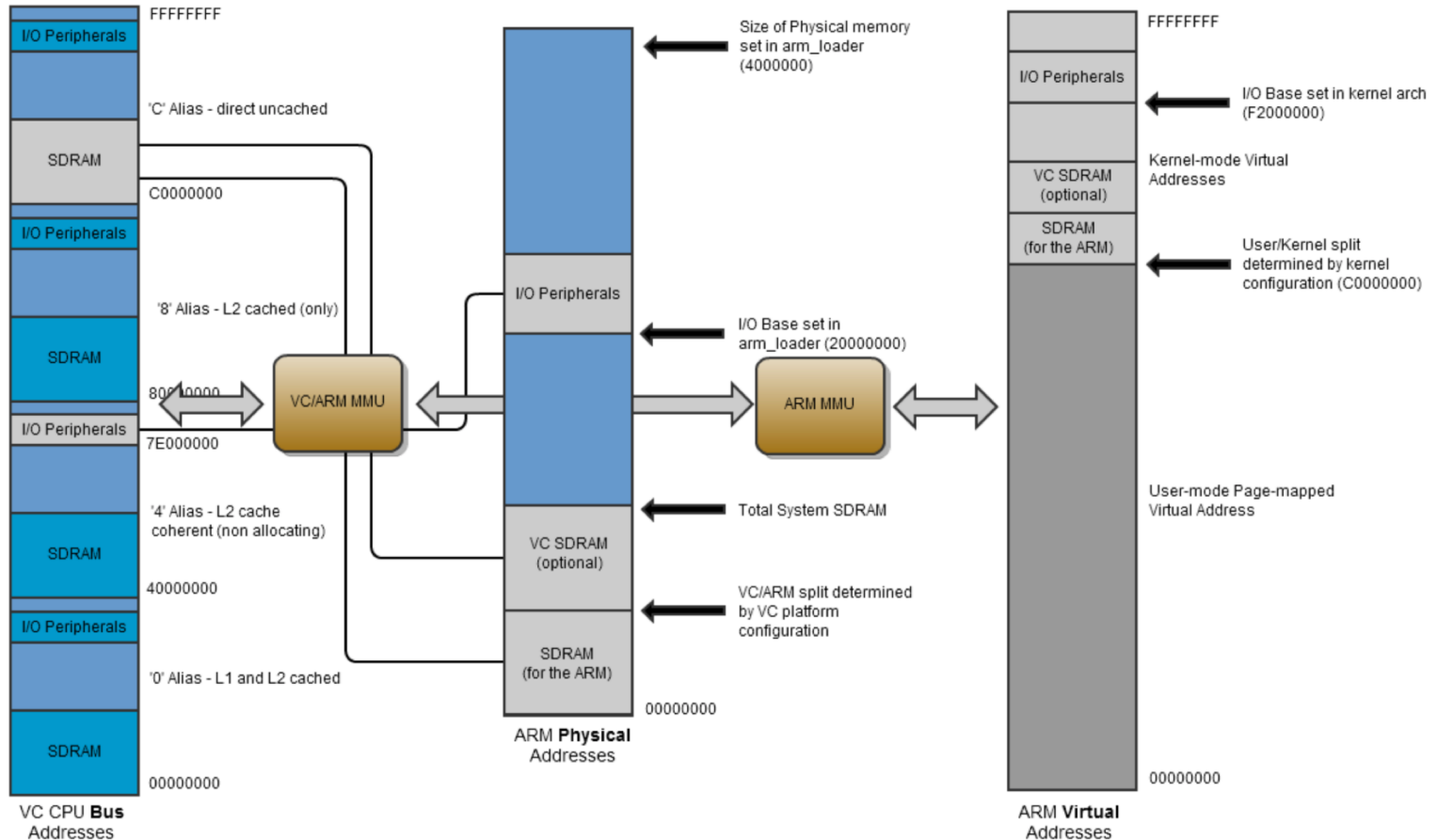


Raspberry Pi

- The Raspberry Pi 3 Model B+ is the latest product in Raspberry Pi range.
 - CSI camera port for connecting a Raspberry Pi camera
 - DSI display port for connecting a Raspberry Pi touchscreen display
 - 4-pole stereo output and composite video port
 - Micro SD port for loading your operating system and storing data
 - 5V/2.5A DC power input
 - Power-over-Ethernet (PoE) support (requires separate PoE HAT)



ARM Peripherals



GPIO Pins

➤ <https://pinout.xyz>